

Wingline L : Technical Presentation



Technik für Möbel



Introduction



Experiencing folding doors in a new way.

- WingLine L lets you produce folding sliding doors in a completely new dimension of convenience.
- The revolutionary Push / Pull to move opening mechanism provides access to everything inside the cabinet with just one movement of the hand. An impressive panorama effect
- Optimised running performance, soft opening and closing, tool-less installation as well as minimal door protrusion for efficiently organizing the space inside.
- WingLine L competently and securely moves door wings weighing up to 25 kg and measuring up to 2,400 mm in height: a talented all rounder for the bedroom, kitchen and office

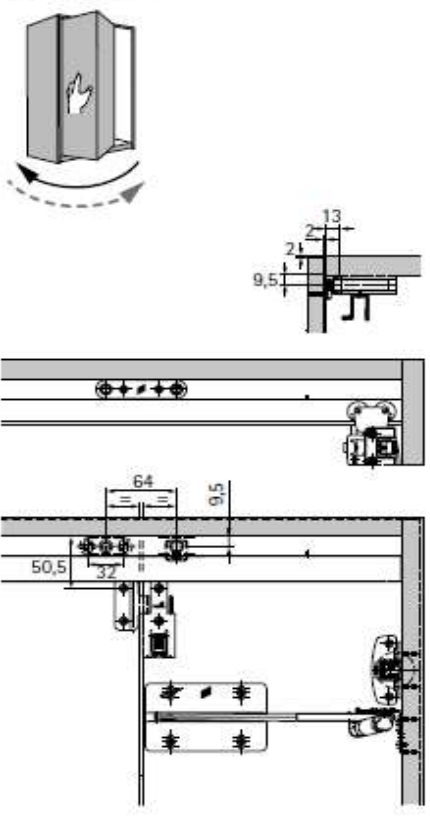
Technical Features



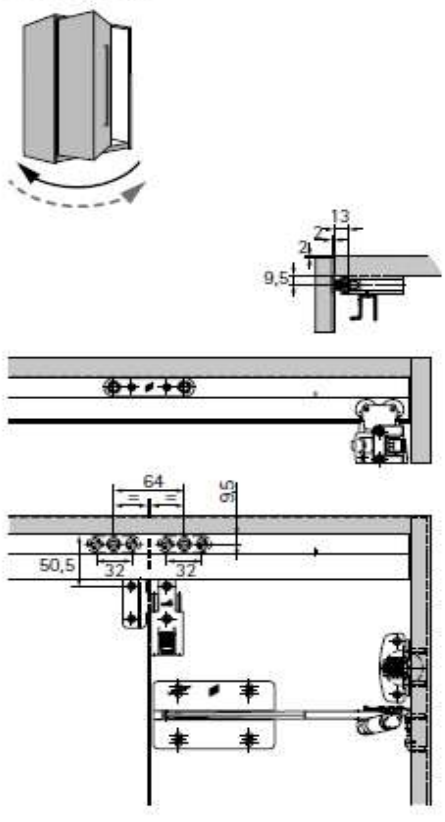
- For one folding door with 2 wings
- Overlay door position
- For wooden doors
- Push / Pull to move
- Suitable for use with Sensys hinge with Silent System
- Door wing weight up to 25 kg
- Door height up to 2400 mm
- Door wing width up to 600 mm
- Tested with 40000 cycles

Operating Principle

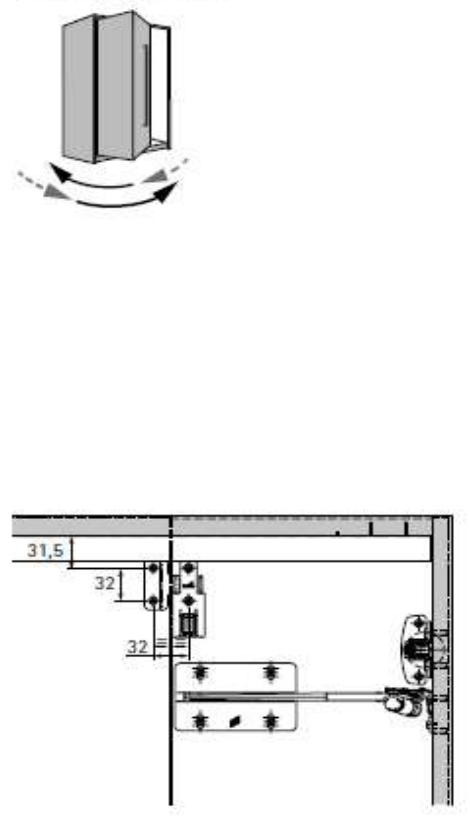
Push to move



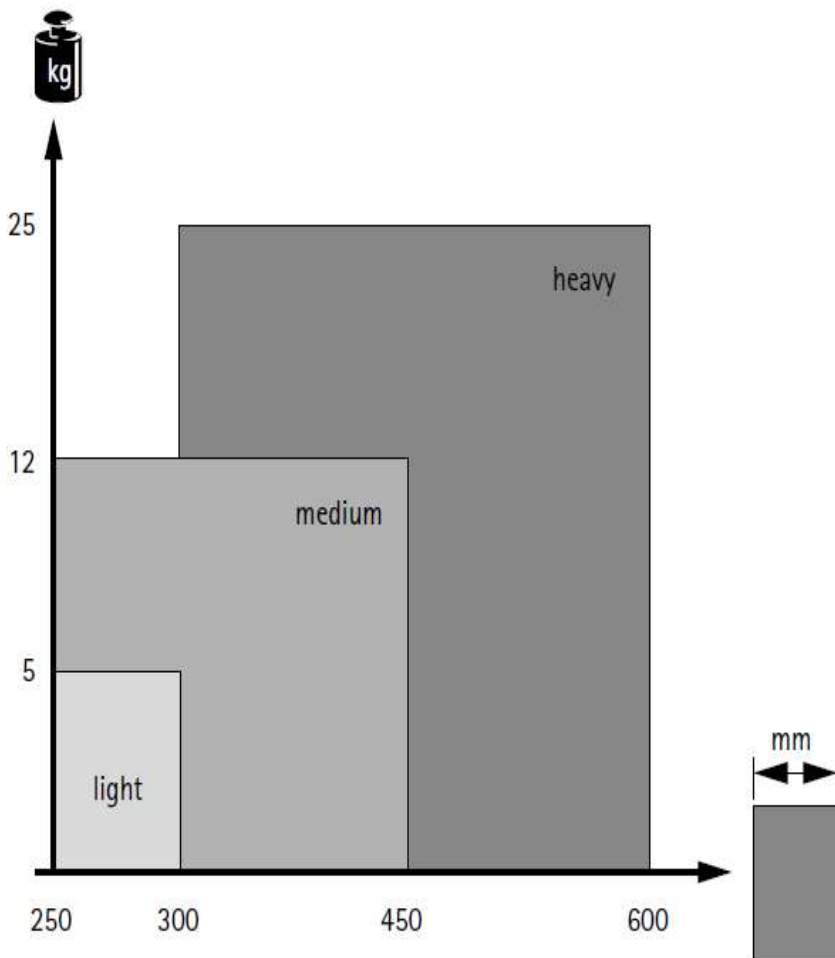
Pull to move



Pull to move Silent



Operating Principle

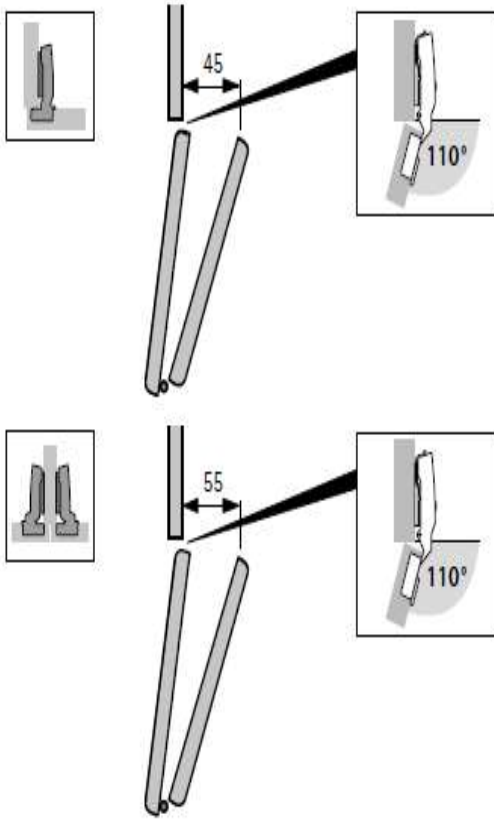


For Push to move and Pull to move to work perfectly in conjunction with every door size and weight, the modules are available in various capacity classes.

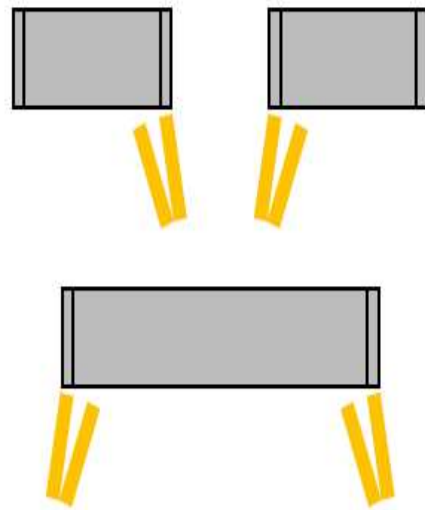
Choose the right set for your particular application.



Door Protrusion



Number of door wings and door position



USP,s



Panorama convenience: access to 6m² of cabinet content, leaving everything in perfect view.



For easy and gentle opening: Push / Pull to move module first class practical convenience.



Optimum use of space: minimal door protrusion, with door reliably held in place while open.



Purist and convenient: no distracting profile on the bottom panel.



Handleless perfection: The door set opens all the way with just one push - from the Push to move module.



Impresses everywhere: WingLine L is suitable for all commonly used door wing formats.



Impressive running performance: as smooth as never before and virtually silent.



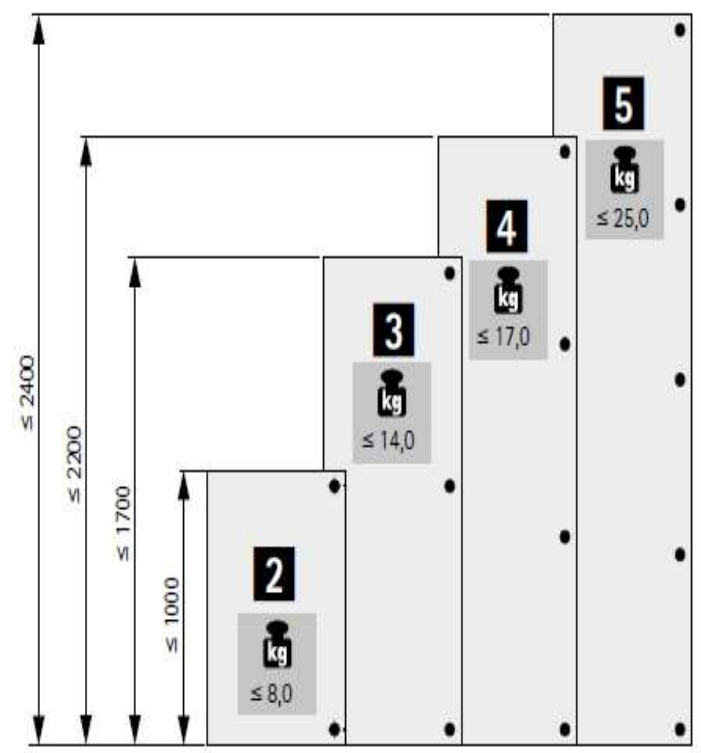
Easy and cost effective: intelligent installation accessories for efficient one person installation.



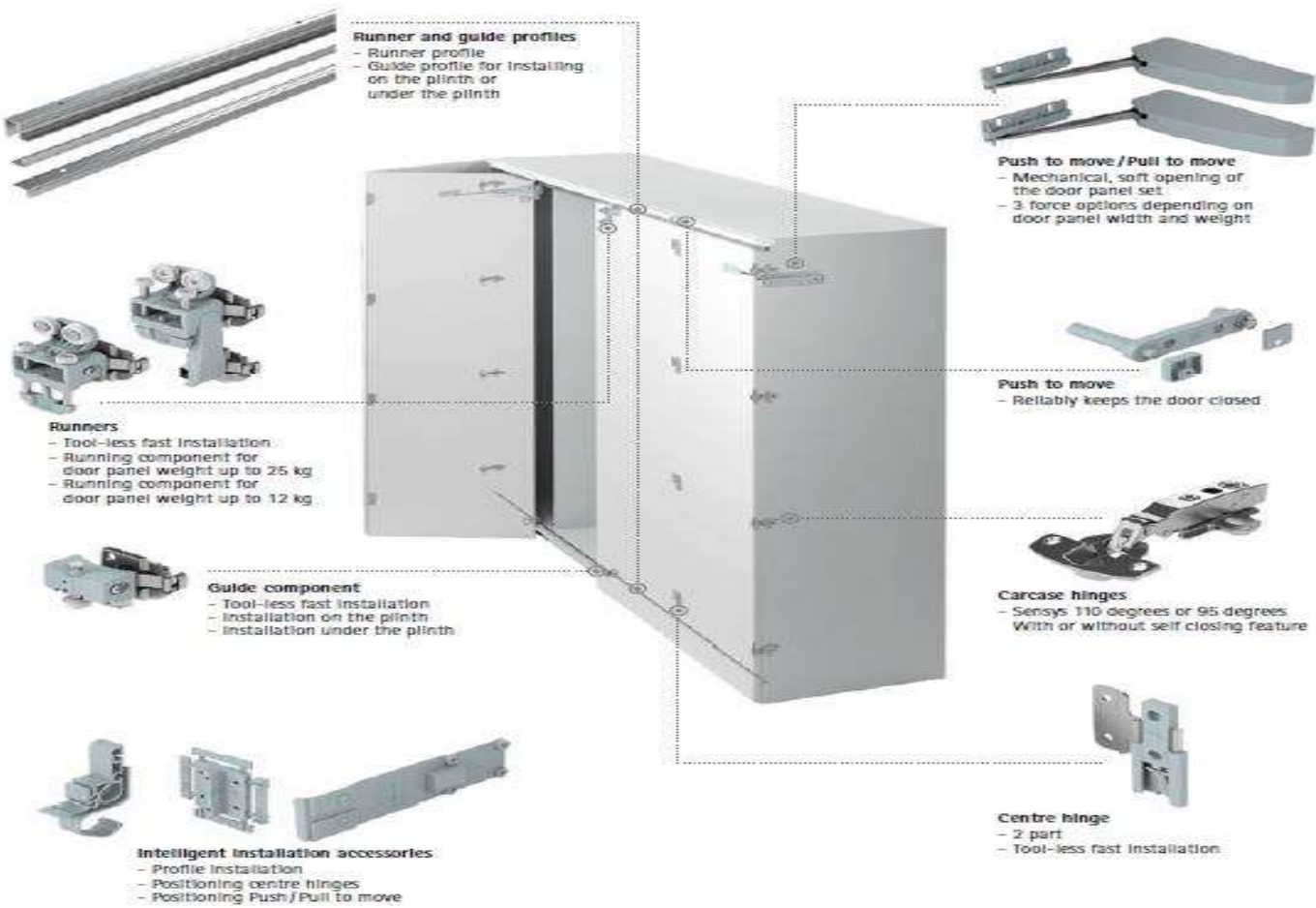
Hinges Arrangement

Fitting Mechanism Description	Suitability Of Hinge
Push to move	Suitable with Sensys 8675 opening angle 110°
Pull to move	Suitable with Sensys 8675 opening angle 110°
Pull to move Silent	Suitable with Sensys 8645i opening angle 110°

Recommended number of carcass and folding door hinges



Components



WingLine L | Product benefits



Handle-less perfection

- First folding door system in the market which enables handle less cabinet design
- The door package opens all the way with just one push
- Purist furniture with flush mounted doors

WingLine L | Product benefits



For easy and gentle opening

- Pull to move and Push to move are two innovative and unique opening mechanisms for folding door systems
- A slight pull on the handle or gentle push on the (handleless) front automatically opens the door all the way and stops quiet and gently in opening position
- A fascinating opening effect that works all mechanically! This means it requires neither cables nor any connection to the power supply

WingLine L | Product benefits



Optimum use of space

- Minimal door protrusion, with door reliably held in place while open.
- No rebound effect of door package
- Drawers, runners and clothes rail open securely past the door package

WingLine L | Product benefits



Impressive running performance

- As smooth as never before and virtually silent

WingLine L | Product benefits



Panorama convenience

- Access to 6m² of cabinet content, leaving everything in perfect view.
- Complete cabinet opens without distracting doors in the middle of the cabinet
- Door panel height up to 2.400 mm
- Door panel width up to 600 mm
- Door panel weight up to 25 Kg

WingLine L | Product benefits



Purist and convenient

- No distracting profile on the bottom panel
- Profile can be mounted on the bottom panel if required

WingLine L- Application



Technik für Möbel


Hettich

Bedroom cabinet



Bedroom cabinet

- Classic application, new folding door experience

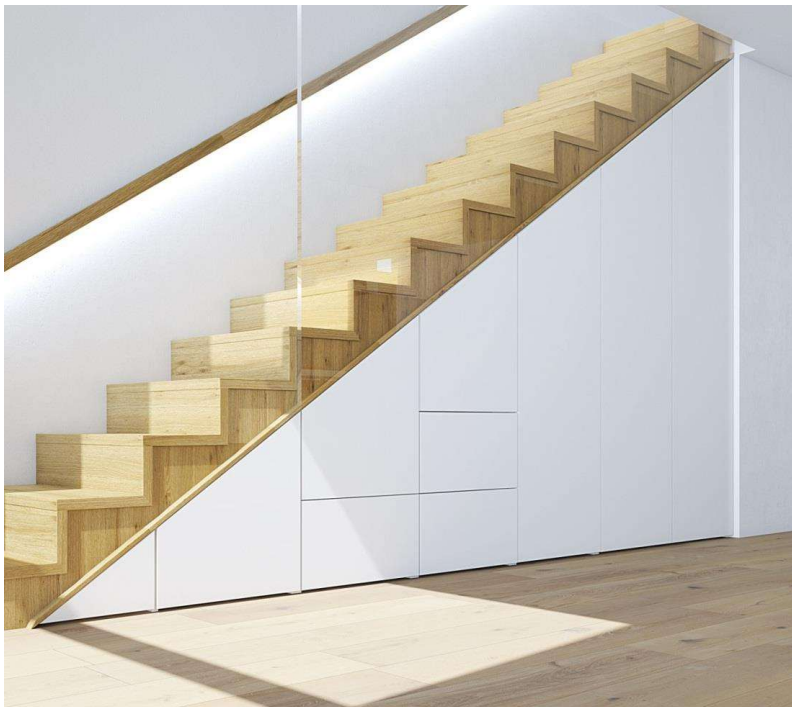
Kitchen



Kitchen

- Clever solution for kitchen worktop cabinet
- Bottom profile below construction panel. Easy access to kitchen ware

Staircase



Staircase

- Efficient usage of “dead” space under the staircase as a storeroom
- Especially in small apartments / houses, the area under the staircase creates additional storage space

Installation Video and Marketing Video

https://youtu.be/CgsKo_6bKpc

<https://youtu.be/fj9RMAr-ibE>



Thank you

